



NEW PRODUCT SPEC SHEET

Model Number: R5

- Intel® Core™ X-series Processors, Socket FCLGA2066 ; products formerly Cascade Lake; Intel® Xeon® Processor E7 v4 Family, Socket FCLGA 2011; products formerly Broadwell; Intel® Xeon® Processor E5 v4 Family, Socket FCLGA 2011; products formerly Haswell
- For Square ILM only
- Active Side-Blow Cooler for 2U Server

Overall Specification:

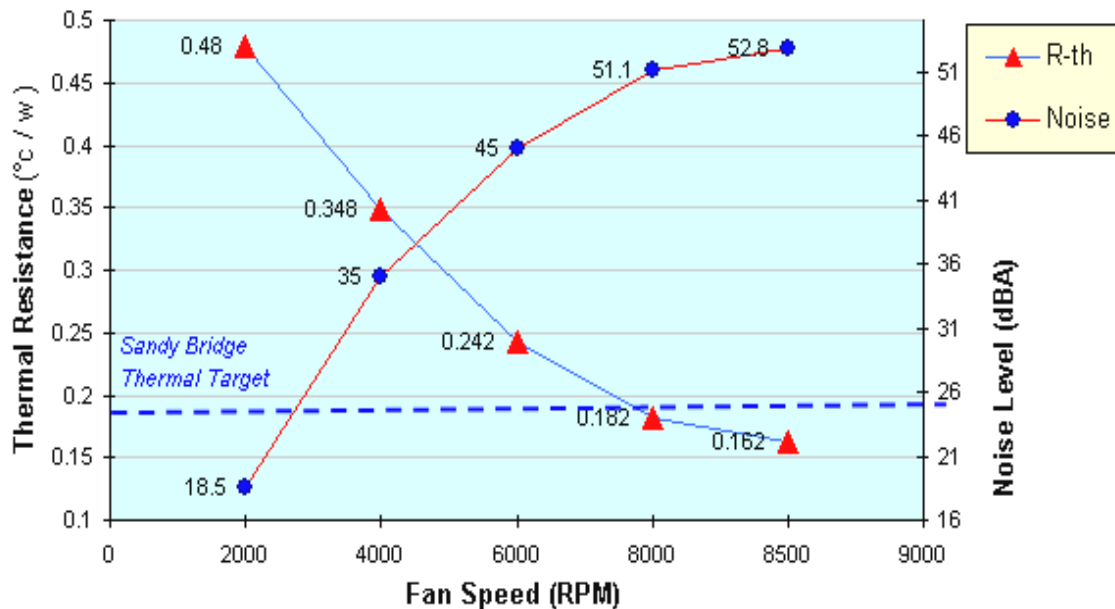
- Dimension: 91.5 x 91.5 x 66.0 mm
- Weight: 590g ± 5g
- 6025 Side Blow Fan with PWM Function
- Material: Aluminum Stacked Fins with Heat Pipes Embedded
- Heat Transfer Rate Upgraded Form Heat Pipes Directly Contact CPU
- Convenient Heat Sink Captive Mounting
- Back Plate is not included
- Thermal Grease Shin-Etsu 7762 Pre-printed
- Support CPU Power up to 165 Watts Heat Dissipation

Fan Specification:

- Model Number: DF126025BU-PWM
- Dimension: 60 x 60 x 25 mm
- Bearing: Double-Ball
- Rated Voltage: 12V
- Rated Speed:
 - At Duty Cycle 0~20%: 1700 ± 200 RPM
 - At Duty Cycle 50%: 4000 ± 10% RPM
 - At Duty Cycle 100%: 8000 ~ 8500 RPM
- Rated Input Power:
 - At Duty Cycle 0~20%: 1.2 W
 - At Duty Cycle 50%: 2.5 W
 - At Duty Cycle 100%: 9.6 W

- Rated Airflow:
 - At Duty Cycle 0~20%: 9.86 CFM
 - At Duty Cycle 50%: 23.21 CFM
 - At Duty Cycle 100%: 49.32 CFM
- Rated Static Pressure:
 - At Duty Cycle 0~20%: 0.86 mm-H₂O
 - At Duty Cycle 50%: 4.76 mm-H₂O
 - At Duty Cycle 100%: 21.50 mm-H₂O
- Rated Acoustical Noise:
 - At Duty Cycle 0~20%: 19.32 dBA
 - At Duty Cycle 50%: 37.89 dBA
 - At Duty Cycle 100%: 54.26 dBA
- Lead Wire Pin Out:
 - Pin#1-Black(-)
 - Pin#2- Yellow(+)
 - Pin#3- Green(Tachometer/ Signal Output)
 - Pin#4- Blue (PWM)

Active Cooler R5 Cooling Performance VS. Airflow & Noise:



6/27/2018 LANG

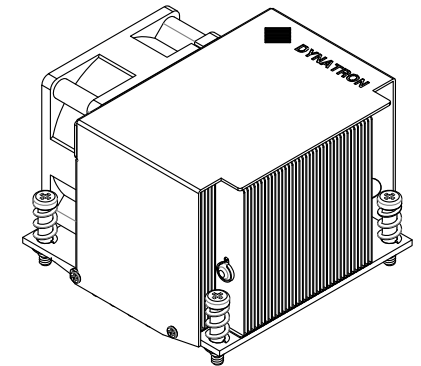
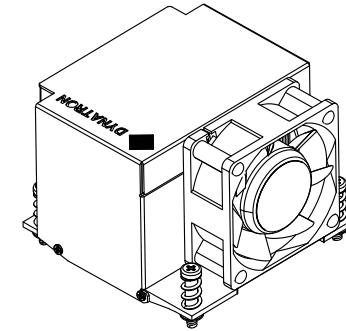
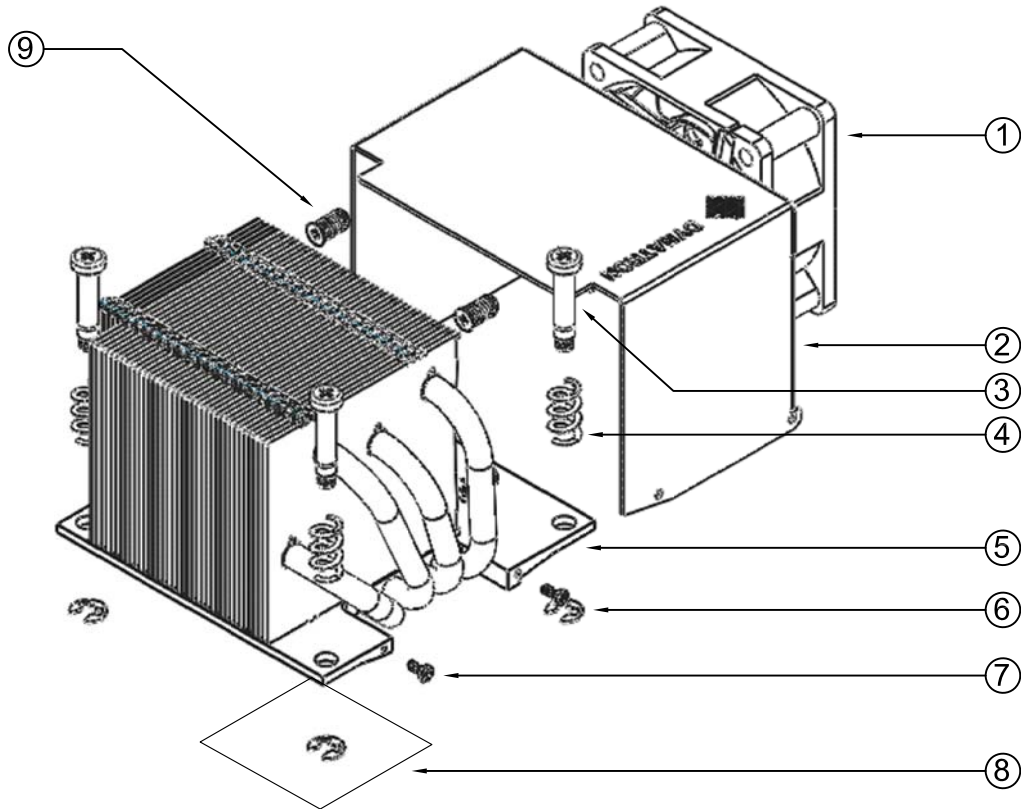
CONFIDENTIAL DOCUMENT

THIS DRAWING CONTAINS INFORMATION PROPRIETARY TO DYNATRON CORPORATION AND DYNAEON INDUSTRIAL CO., LTD. ANY REPRODUCTION, DISCLOSURE, OR USE OF THIS DRAWING IS EXPRESSLY PROHIBITED EXCEPT AS DYNATRON CORPORATION AND DYNAEON INDUSTRIAL CO., LTD. MAY OTHERWISE AGREE TO IN WRITING.

REV#	DESCRIPTION	CHECKER	DATE
0.0	INITIAL RELEASE	LANG	05/24/2011
1.0	UPDATE COOLING FAN SPEC	LANG	06/27/2018

ASSEMBLY PARTS

WHOLE SET OF COOLER



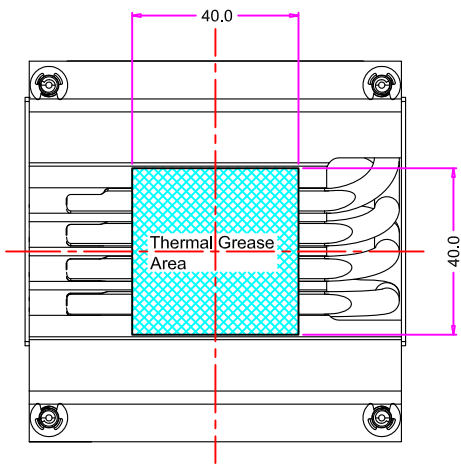
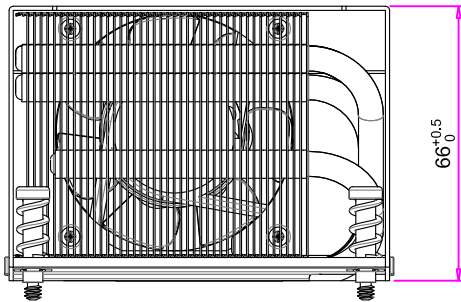
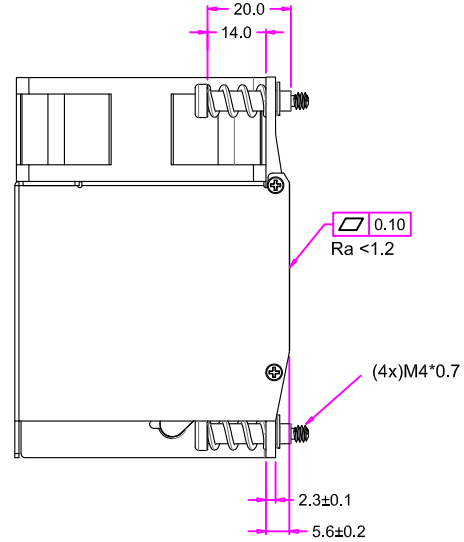
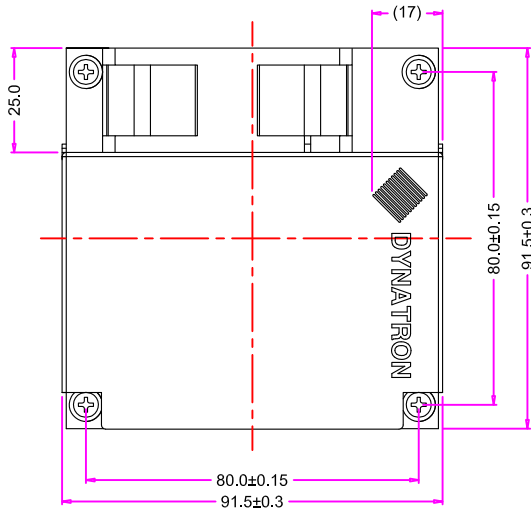
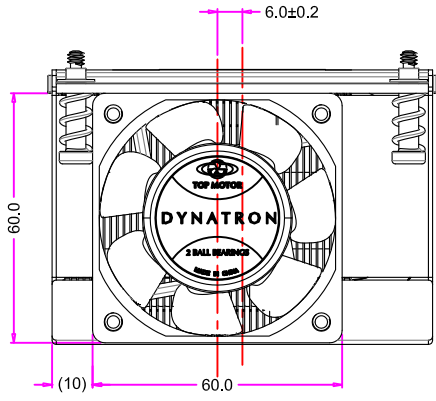
NOTES:

1. THE FIGURE IS FOR REFERENCE ONLY, AND NOT FOR SCALE
2. OVERALL DIMENSION: 91.5 x 91.5 x 66.0mm

ITEM#	DESCRIPTION	MATERIAL	QTY.
9	SCREW, FAN MOUNTING	STEEL	4
8	THERMAL GREASE, PRE-PRINTED	SHIN-ETSU G751	1
7	SCREW, COVER MOUNTING	STEEL	4
6	C-CLIP	STEEL	4
5	HEATSINK, STACKED FIN	ALUMINUM FIN + HEATPIPES	1
4	SPRING	SWP (850G)	4
3	SCREW, HEATSINK	STEEL (860G)	4
2	COVER, FAN	ALUMINUM, THK 0.8mm	1
1	FAN, DF126025BU-PWM	PLASTIC	1

DATE	NAME	DYNATRON CORPORATION	
06/27/2018	Engr	 TITLE: 2U Active Cooler R5 BOM & Exploded Assembly Drawing	
06/27/2018	LANG		
DWG. No: DYN-EP-R5		REV: 1.0	

ITEM#	DESCRIPTION	CHECKER	DATE
1	Initial Release	LANG	05/24/11



	NAME	DATE
DRAWN BY	Engr.	05/24/2011
CHECKED BY	LANG	05/24/2011
ENG. APPROVED		
MFG. APPROVED	-	-



DYNATRON CORPORATION

TOP MOTOR

TITLE: **2U Active Cooler R5**
Overall Dimension Drawing

CONFIDENTIAL DOCUMENT

THIS DRAWING CONTAINS INFORMATION PROPRIETARY TO DYNATRON CORPORATION AND DYNAEON INDUSTRIAL CO., LTD. ANY REPRODUCTION, DISCLOSURE, OR USE OF THIS DRAWING IS EXPRESSLY PROHIBITED EXCEPT AS DYNATRON CORPORATION AND DYNAEON INDUSTRIAL CO., LTD. MAY OTHERWISE AGREE TO IN WRITING.

VIEW	
UNITS	MM

DWG. No:

DYN-DM-R5

REV.
00